



4-way motorizable rotating mixing valve. Connections: female.

Rotating mixing valve made of forged brass suitable for heating and cooling installations. Yellow finish. The valve can be motorized with a servomotor of the ModvlvS range or with another one on sale. An easy numbering on the upper part of the valve helps to understand correctly the connection schemes indicated in the instruction sheet, without any possibility of mistake. As concerns the manual working an additional stained indicator fixes the working field and the working direction in an univocal way.

- PN 10. Maximum temperature 110°C (short time: 160°C for 20 s.)
- Maximum leakrate in % of flow: 0,05
- Working torque: < 3 Nm
- It works as a mixing or a diverting valve
- Suitable for heating, cooling and solar thermal installations
- Suitable to be used with antifreeze fluids (glycol ≤ 50%)
- Available Kvs: From 2,5 up to 25

External connections: Female.



PED 97/23/EC, art. 3.3

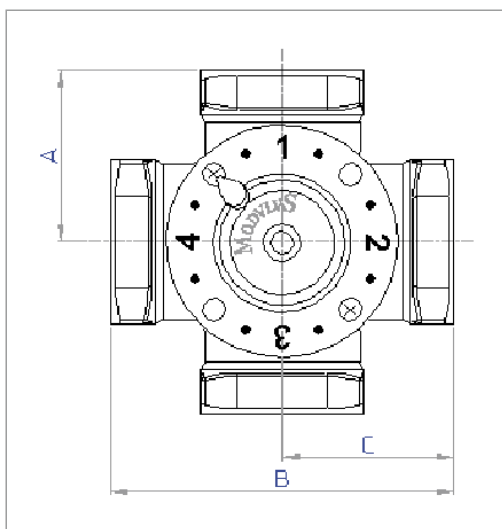


The kit of rotating mixing valve and 3-point servomotor is available:

Bidirectional, reversible, operating range of 90°, 140 s
Torque 5 Nm. 230V, IP40.

Please add the suffix **-NR** to the code of the valve.

Codes and dimensional specifications:



Code	Item	DN	Kvs	Conn.	A	B	C
021065-2.5(-NR)	1065	15	2,5	G 1/2"	36	72	36
021065-4.0(-NR)	1065	15	4,0	G 1/2"	36	72	36
031065-4.0(-NR)	1065	20	4,0	G 3/4"	36	72	36
031065-6.3(-NR)	1065	20	6,3	G 3/4"	36	72	36
041065-10(-NR)	1065	25	10,0	G 1"	41	82	41
041065-14(-NR)	1065	25	14,0	G 1"	41	82	41
051065-16(-NR)	1065	32	16,0	G 1"1/4	47	94	47
061065-25(-NR)	1065	40	25,0	G 1"1/2	53	106	53

M21



M21 - Servomotor - 230V

ACC10



ACC10 - Fixed temperature servomotor - 230V

AHC20



AHC20 - Basic climatic controller with servomotor and outside sensor - 230V

CMP25-2



CMP25-2 - Touch screen climatic controller with advanced functions and...