

Ball valve with built-in filter

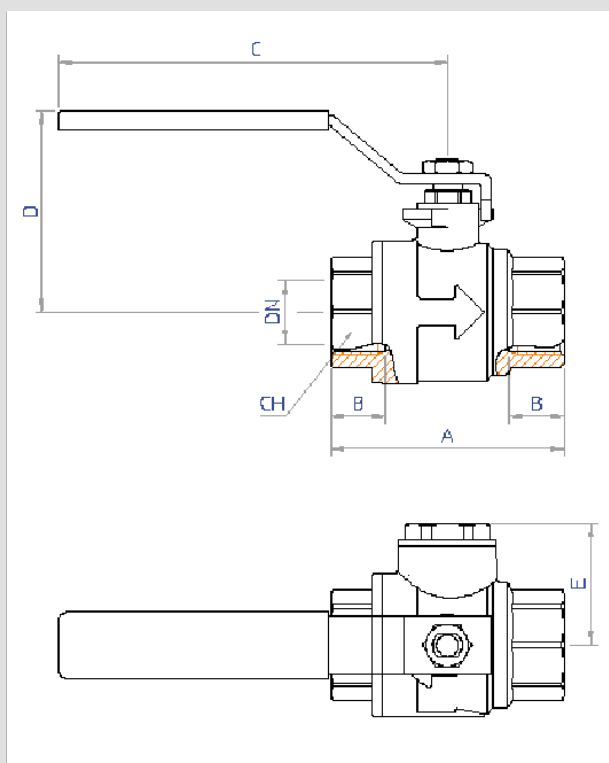
F/F Ball valve with filter in hot forged brass.
 Stem double O-ring seal system.
 To fill the installation. Nickel plated.
 End threaded to ISO 228 (DIN 259 BSP 2779).
 With steel handle.
 Individual or multiple package.
Stainless steel filtering mesh: 0,5 mm.
PN 16. Max Temperature 120°C.
Dimensions: 1/2", 3/4", 1", 1"1/4.

Kvs values:

- 1/2": 5,3
- 3/4": 5,6
- 1": 12,0
- 1"1/4: 20,0



The stainless steel filter placed inside the ball can be easily removed, to be cleaned and inspected, while the valve is in closed position.
 The ball valve can be installed either with or without the filter (in this case the filter can be used for a limited time only, for example to clean the system).

Dimensional specifications:

Specifications	Dimensions			
	1/2"	3/4"	1"	1"1/4
A	72	72	90	111
B	16	17	21	23
C	120	120	120	156
D	62	62	67	86
E	37	37	46,5	52,5
CH	32	32	40	49
DN	15	20	25	32
Weight [g]	540	488	785	1300

Individual package
 Code 1/2": **02514/A**
 Code 3/4": **03514/A**
 Code 1": **04514/A**
 Code 1"1/4: **05514/A**

Multiple package
 Code 1/2": **02514**
 Code 3/4": **03514**
 Code 1": **04514**
 Code 1"1/4: **05514**