

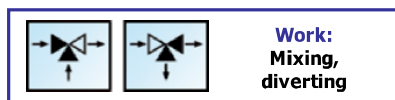


### 3-way motorizable rotating mixing valve. Connections: female.

Rotating mixing valve made of forged brass suitable for heating and cooling installations. Yellow finish. The valve can be motorized with a servomotor of the ModvlvS range or with another one on sale. The special proportional shape of the adjustment vane makes linear the working of the valve and it allows installations always symmetric. An easy numbering on the upper part of the valve helps to understand correctly the connection schemes indicated in the instruction sheet, without any possibility of mistake. As concerns the manual working an additional stained indicator fixes the working field and the working direction in an univocal way.

- PN 10. Maximum temperature 110°C (short time: 160°C for 20 s.)
- Maximum leakrate in % of flow: 0,05
- Working torque: < 3 Nm
- It works as a mixing or a diverting valve
- Suitable for heating, cooling and solar thermal installations
- Suitable to be used with antifreeze fluids (glycol ≤ 50%)
- Available Kvs: From 2,5 up to 25

**External connections: Female.**



PED 97/23/EC, art. 3.3

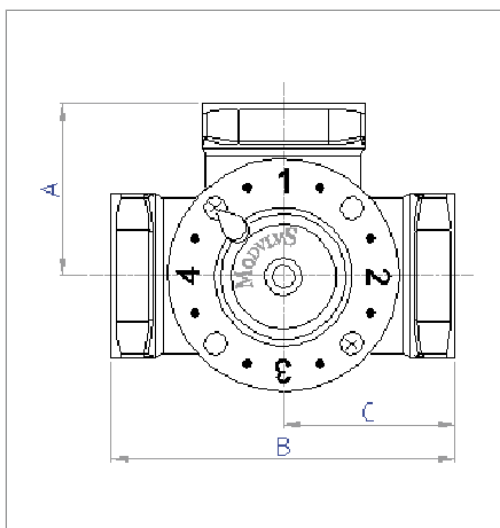


### The kit of rotating mixing valve and 3-point servomotor is available:

Bidirectional, reversible, operating range of 90°, 140 s  
Torque 5 Nm. 230V, IP40.

Please add the suffix **-NR** to the code of the valve.

### Codes and dimensional specifications:



Code	Item	DN	Kvs	Conn.	A	B	C
<b>021055-2.5(-NR)</b>	1055	15	2,5	G 1/2"	36	72	36
<b>021055-4.0(-NR)</b>	1055	15	4,0	G 1/2"	36	72	36
<b>031055-4.0(-NR)</b>	1055	20	4,0	G 3/4"	36	72	36
<b>031055-6.3(-NR)</b>	1055	20	6,3	G 3/4"	36	72	36
<b>031055-10(-NR)</b>	1055	20	10,0	G 3/4"	36	72	36
<b>041055-10(-NR)</b>	1055	25	10,0	G 1"	41	82	41
<b>041055-16(-NR)</b>	1055	25	16,0	G 1"	41	82	41
<b>051055-16(-NR)</b>	1055	32	16,0	G 1"1/4	47	94	47
<b>061055-25(-NR)</b>	1055	40	25,0	G 1"1/2	53	106	53

Correlated articles

**M21**



M21 - Servomotor - 230V

**ACC10**



ACC10 - Fixed temperature servomotor - 230V

**AHC20**



AHC20 - Basic climatic controller with servomotor and outside sensor - 230V

**CMP25-2**



CMP25-2 - Touch screen climatic controller with advanced functions and...